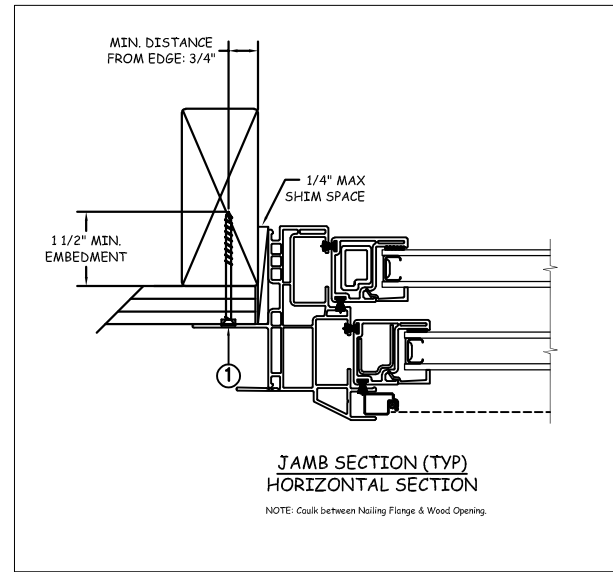
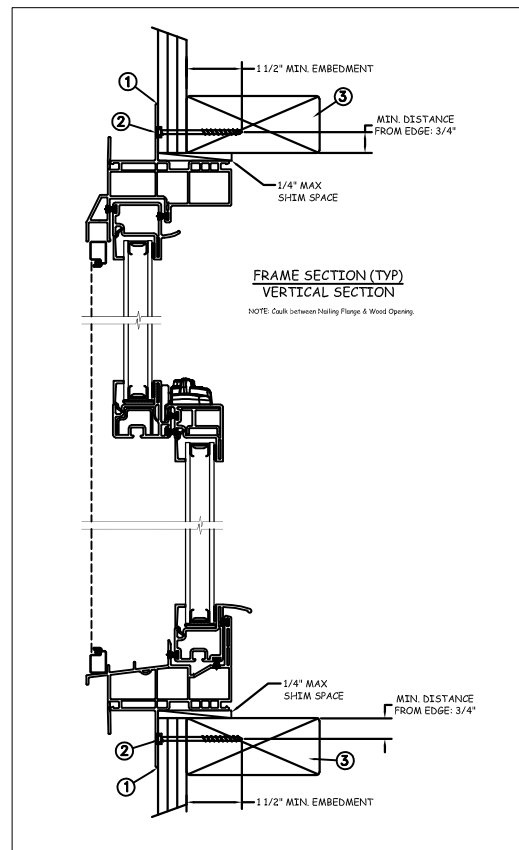
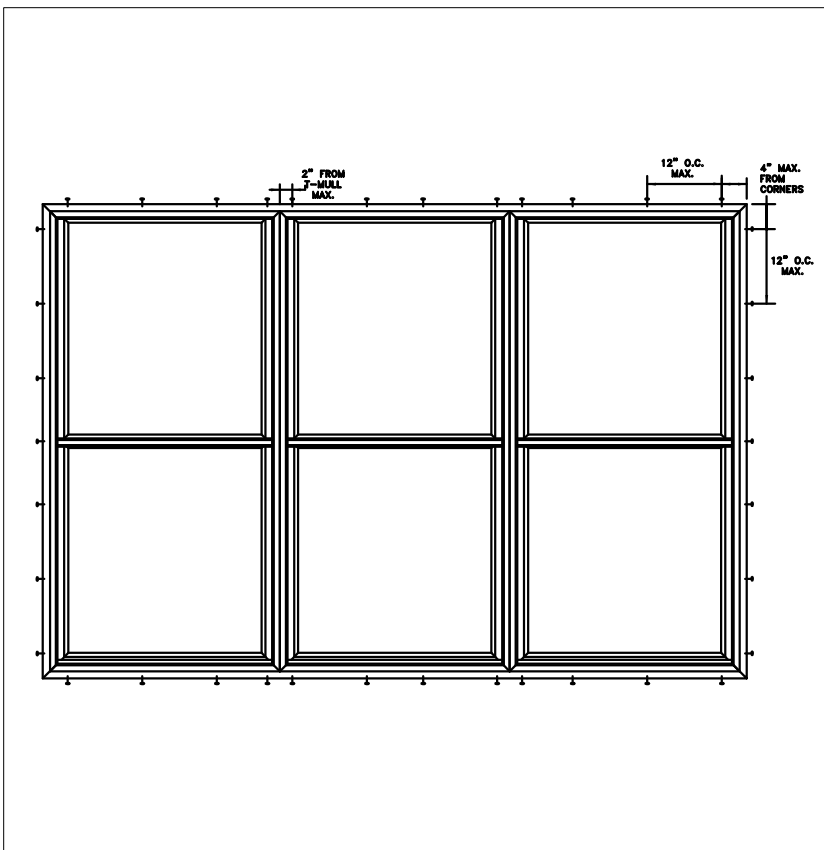


**NAIL FIN INSTALLATION**



<b>Max Frame</b>	<b>DP RATING</b>	<b>IMPACT</b>
108 x 72	+50/-50	NO

**Installation Notes:**

1. Seal flange/frame to substrate.
2. Use #8 PH or greater fastener through the nail fin with sufficient length to penetrate a minimum of 1 1/2" into the wood framing. For two (2X) wood frame substrate (min. S.G. = 0.42).
3. Host structure (wood buck, masonry, steel) to be designed and anchored to properly transfer all loads to the structure. The host structure is the responsibility of the architect or engineer of record for the project of installation.

**General Notes:**

1. The product shown herein is designed, tested and manufactured to comply with the wind load criteria of the adopted International Building Code (IBC), the International Residential Code (IRC), the Florida Building Code (FBC) and the industry requirement for the stated conditions.
2. All glazing shall conform to ASTM E1300.
3. At minimum, glazing shall be double strength annealed insulating glass.
4. Use structural or composite shims where required.

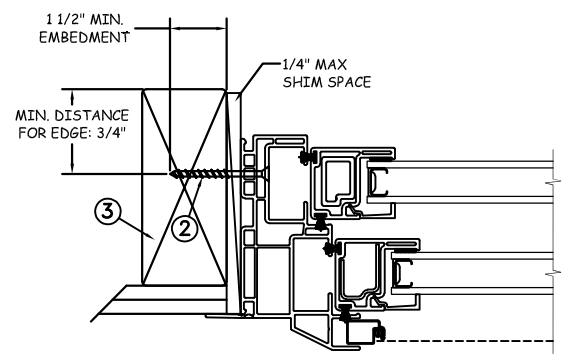
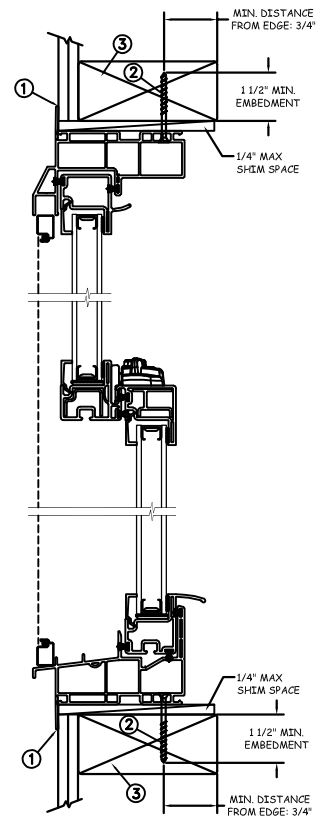
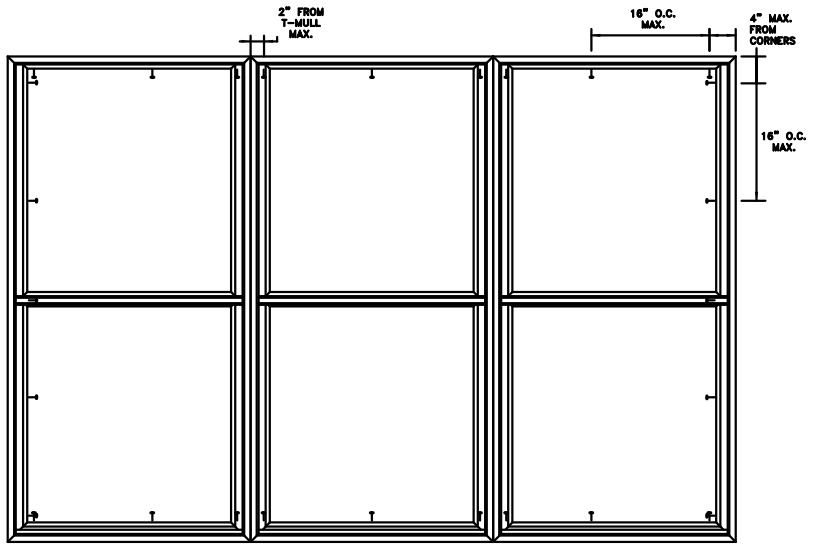
This schedule addresses only the fasteners required to anchor the window to achieve the rated design pressure up to the size limitations noted. It is not intended as a guide to the installation process and does not address the sealing consideration that may arise in different wall conditions. For the complete installation procedure, see the instructions packaged with the window or go to [www.jeld-wen.com/resources/installation](http://www.jeld-wen.com/resources/installation).

**DISCLAIMER:**  
This drawing and its contents are confidential and are not to be reproduced or copied in whole or in part or used or disclosed to others except as authorized by JELD-WEN Inc.



PROJECT ENGINEER: ---	DATE: 2/16/18	<b>JELD-WEN</b> 3250 Lakeport Blvd Klamath Falls, OR. 97601 Phone: (800) 535-3936
DRAWN BY: A. MCMILLAN	SCALE: NTS	
CHECKED BY: J. GOOSSEN	TITLE: Premium Vinyl Tilt Double Hung Window XXX	
APPROVED BY: J. GOOSSEN		
PART/PROJECT No.: D014538		
IDENTIFIER No.: ESP024843P.7	PLANT NAME AND LOCATION:	CAD DWG. No.: PremVinylTDHXXX Cert
	REV: <b>A</b>	SHEET 1 OF 4

**THRU JAMB INSTALLATION**



**JAMB SECTION (TYP)  
HORIZONTAL SECTION**  
NOTE: Caulk between Frame & Wood Opening.

<b>Max Frame</b>	<b>DP RATING</b>	<b>IMPACT</b>
108 x 72	+50/-50	NO

**Installation Notes:**

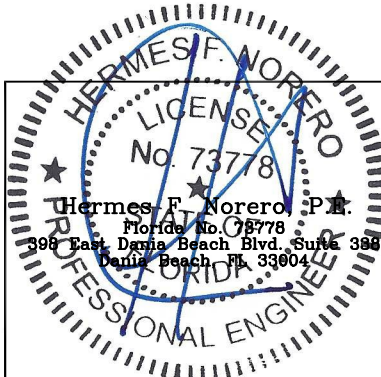
1. Seal flange/frame to substrate.
2. Use #8 PH or greater fastener through the frame with sufficient length to penetrate a minimum of 1 1/2" into the wood framing. For two (2X) wood frame substrate (min. S.G. = 0.42).
3. Host structure (wood buck, masonry, steel) to be designed and anchored to properly transfer all loads to the structure. The host structure is the responsibility of the architect or engineer of record for the project of installation.

**General Notes:**

1. The product shown herein is designed, tested and manufactured to comply with the wind load criteria of the adopted International Building Code (IBC), the International Residential Code (IRC), the Florida Building Code (FBC) and the industry requirement for the stated conditions.
2. All glazing shall conform to ASTM E1300.
3. At minimum, glazing shall be double strength annealed insulating glass.
4. Use structural or composite shims where required.

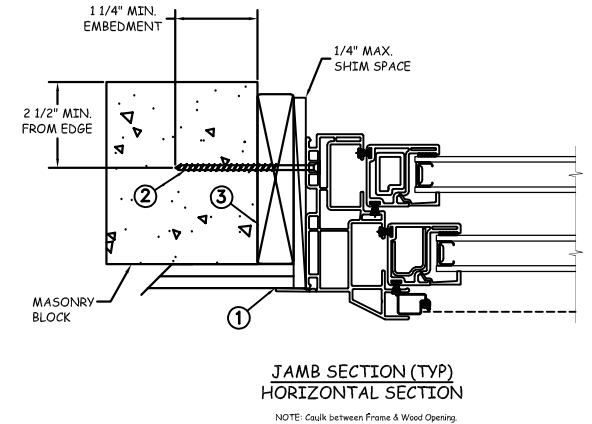
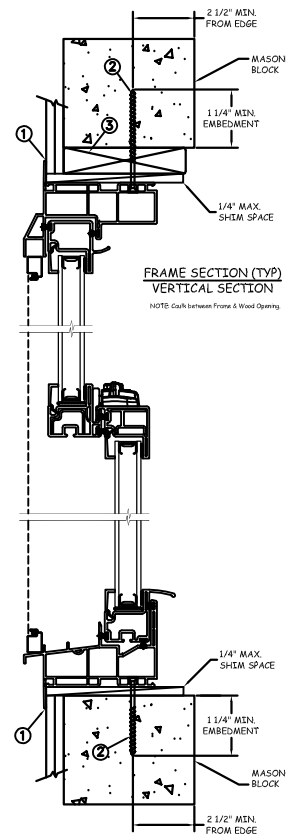
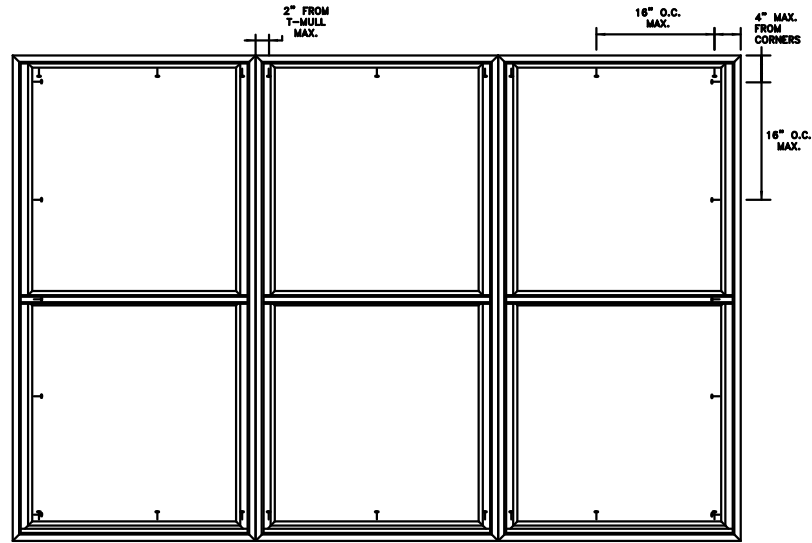
This schedule addresses only the fasteners required to anchor the window to achieve the rated design pressure up to the size limitations noted. It is not intended as a guide to the installation process and does not address the sealing consideration that may arise in different wall conditions. For the complete installation procedure, see the instructions packaged with the window or go to [www.jeld-wen.com/resources/installation](http://www.jeld-wen.com/resources/installation).

**DISCLAIMER:**  
This drawing and its contents are confidential and are not to be reproduced or copied in whole or in part or used or disclosed to others except as authorized by JELD-WEN Inc.



PROJECT ENGINEER: ---	DATE: 2/16/18	<b>JELD-WEN</b>	3250 Lakeport Blvd Klamath Falls, OR. 97601 Phone: (800) 535-3936	
DRAWN BY: A. MCMILLAN	SCALE: NTS			
CHECKED BY: J. GOOSSEN	TITLE: Premium Vinyl Tilt Double Hung Window XXX			
APPROVED BY: J. GOOSSEN				
PART/PROJECT No.: D014538				
IDENTIFIER No. ESP024843P.7	PLANT NAME AND LOCATION:	CAD DWG. No.: PremVinylTDHXXX Cert	REV: A	SHEET 2 OF 4

# MASONRY INSTALLATION



Max Frame	DP RATING	IMPACT
108 x 72	+50/-50	NO

### Installation Notes:

1. Seal flange/frame to substrate.
2. Use 3/16" Tapcon or equivalent fasteners through frame with sufficient length to penetrate a minimum of 1 1/4" into concrete or masonry at each location with a 2 1/2" min from edge distance. For concrete (min. = 3000psi) or masonry (min. = 2000psi) (CMU shall conform to ASTM C90).
3. Host structure (wood buck, masonry, steel) to be designed and anchored to properly transfer all loads to the structure. The host structure is the responsibility of the architect or engineer of record for the project of installation.

### General Notes:

1. The product shown herein is designed, tested and manufactured to comply with the wind load criteria of the adopted International Building Code (IBC), the International Residential Code (IRC), the Florida Building Code (FBC) and the industry requirement for the stated conditions.
2. All glazing shall conform to ASTM E1300.
3. At minimum, glazing shall be double strength annealed insulating glass.
4. Use structural or composite shims where required.

This schedule addresses only the fasteners required to anchor the window to achieve the rated design pressure up to the size limitations noted. It is not intended as a guide to the installation process and does not address the sealing consideration that may arise in different wall conditions. For the complete installation procedure, see the instructions packaged with the window or go to [www.jeld-wen.com/resources/installation](http://www.jeld-wen.com/resources/installation).

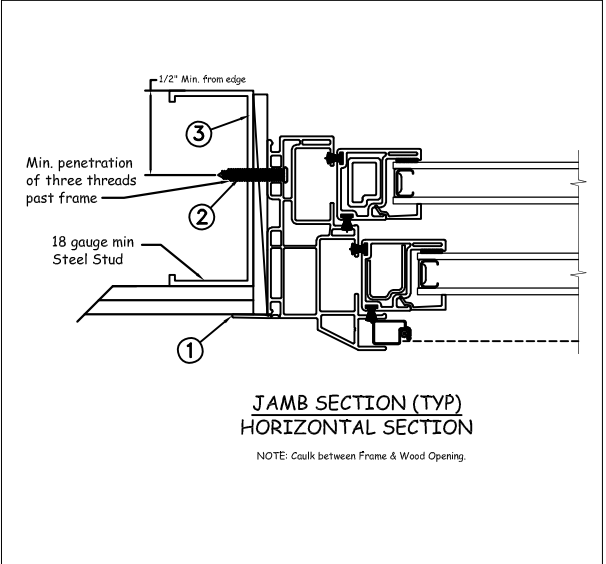
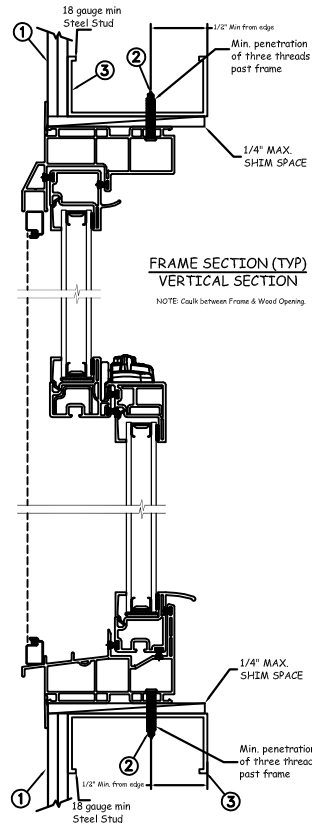
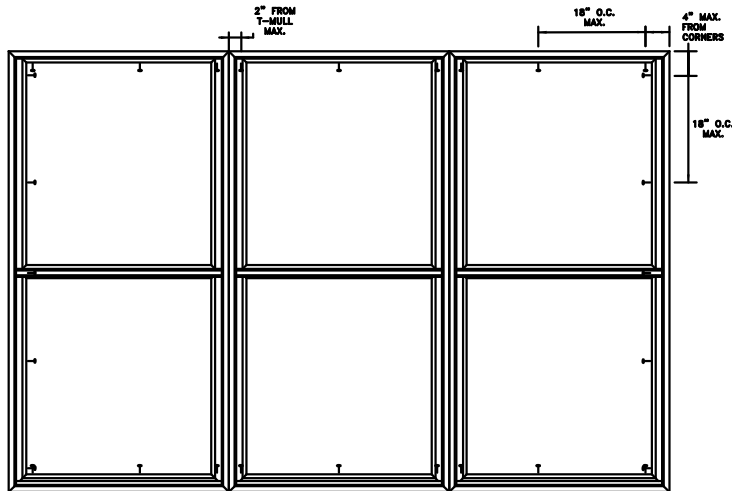
### DISCLAIMER:

This drawing and its contents are confidential and are not to be reproduced or copied in whole or in part or used or disclosed to others except as authorized by JELD-WEN Inc.



PROJECT ENGINEER: ---	DATE: 2/16/18	<b>JELD-WEN</b> 3250 Lakeport Blvd Klamath Falls, OR. 97601 Phone: (800) 535-3936
DRAWN BY: A. MCMILLAN	SCALE: NTS	
CHECKED BY: J. GOOSSEN	TITLE: Premium Vinyl Tilt Double Hung Window XXX	
APPROVED BY: J. GOOSSEN		
PART/PROJECT No.: D014538		
IDENTIFIER No. ESP024843P.7	PLANT NAME AND LOCATION:	CAD DWG. No.: PremVinylTDHXXX Cert
	REV: A	SHEET 3 OF 4

# STEEL INSTALLATION



Max Frame	DP RATING	IMPACT
108 x 72	+50/-50	NO

### Installation Notes:

1. Seal flange/frame to substrate.
2. For anchoring into metal framing, use #8 TEK Self Tapping screws with sufficient length to achieve a minimum penetration of three threads past the frame thickness. Locate anchors as shown in elevations and installation details. Steel substrate min. 18ga., fy = 33 ksi.
3. Host structure (wood buck, masonry, steel) to be designed and anchored to properly transfer all loads to the structure. The host structure is the responsibility of the architect or engineer of record for the project of installation.

### General Notes:

1. The product shown herein is designed, tested and manufactured to comply with the wind load criteria of the adopted International Building Code (IBC), the International Residential Code (IRC), the Florida Building Code (FBC) and the industry requirement for the stated conditions.
2. All glazing shall conform to ASTM E1300.
3. At minimum, glazing shall be double strength annealed insulating glass.
4. Use structural or composite shims where required.

This schedule addresses only the fasteners required to anchor the window to achieve the rated design pressure up to the size limitations noted. It is not intended as a guide to the installation process and does not address the sealing consideration that may arise in different wall conditions. For the complete installation procedure, see the instructions packaged with the window or go to [www.jeld-wen.com/resources/installation](http://www.jeld-wen.com/resources/installation).

### DISCLAIMER:

This drawing and its contents are confidential and are not to be reproduced or copied in whole or in part or used or disclosed to others except as authorized by JELD-WEN Inc.



PROJECT ENGINEER: ---	DATE: 2/16/18	<b>JELD WEN</b> 3250 Lakeport Blvd Klamath Falls, OR. 97601 Phone: (800) 535-3936
DRAWN BY: A. MCMILLAN	SCALE: NTS	
CHECKED BY: J. GOOSSEN	TITLE: Premium Vinyl Tilt Double Hung Window XXX	
APPROVED BY: J. GOOSSEN		
PART/PROJECT No.: D014538		
IDENTIFIER No. ESP024843P.7	PLANT NAME AND LOCATION:	CAD DWG. No.: PremVinylTDHXXX Cert
	REV: A	SHEET 4 OF 4